

**SC-OD42I-5-LED • SC-OD42I-7-LED
R-OD42I-5-LED • R-OD42I-7-LED
60" High Island Case**

Model No.	Description
SC-OD42I-5-LED	Self-contained
SC-OD42I-7-LED	Self-contained
SC-OD42I-5-B-LED	Self-contained
SC-OD42I-7-B-LED	Self-contained
SC-OD42I-5-S-LED	Self-contained
SC-OD42I-7-S-LED	Self-contained
R-OD42I-5-LED	Remote
R-OD42I-7-LED	Remote
R-OD42I-5-B-LED	Remote
R-OD42I-7-B-LED	Remote
R-OD42I-5-S-LED	Remote
R-OD42I-7-S-LED	Remote



Standard Features

- Designer White, Glossy Black Aluminum or Stainless Steel Exterior and Interior
- Laminated Top & Base
- LED Lighting Around the Top
- 3 Levels of Stainless Steel Shelving with LED Lighting
- Shelves are Adjustable in 1" Increments
- Price Tag Molding
- Removable Deck Pans for Easy Access
- Built in Product Stops at Deck Area
- All Steel Construction
- Heavy Duty Plexiglas Front Rail
- Foamed in Place with CFC Free Foam
- Heavy Duty Condensing Unit
- Self-contained - Refrigerant: R404A
- Remote expansion valve - R407A
- Electric Condensate Pan, Separate Plug
- Electronically Controlled Refrigeration System
- Even Flo Air Discharge for Balanced Temperatures
- Standard Night Covers
- Optional Top Access Raceway (Electrical & refrigeration connections)
- Optional Laminates

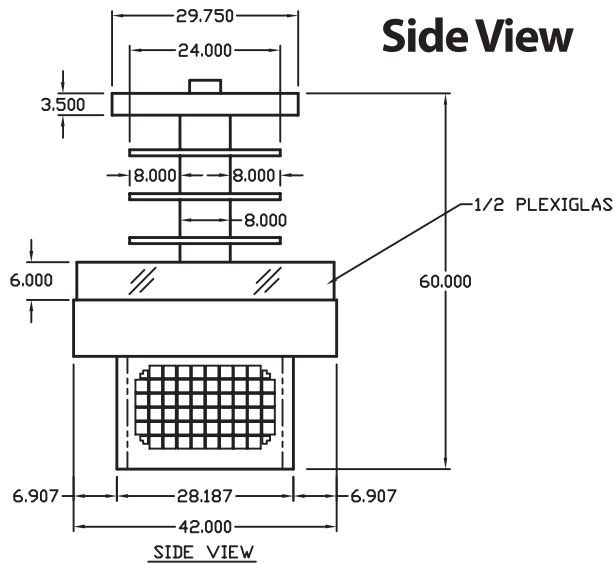
- This Unit Is Only For Display
- Only Refrigerated Products (34°F To 38°F) Should Be Loaded Into This Unit
- Night Covers Should Be Used At Night & When Store Is Closed.

SC-OD42I-5 R-OD42I-5		SC-OD42I-7 R-OD42I-7	
Length	60"	Length	84"
Width	42"	Width	42"
Height (to display area)	27"	Height (to display area)	27"
Height (to top of tower)	60"	Height (to top of tower)	60"
HP	1-1/2 HP	HP	1-3/4 HP
Refrigerant	404A	Refrigerant	404A
Volts	115/208-230	Volts	115/208-230
Volts Remote	115/208-230	Volts Remote	115/208-230
Amps	15	Amps	16
Amps Remote	7	Amps Remote	8
BTUs	11,200	BTUs	13,200
Plug	NEMA L14-20P	Plug	NEMA L14-20P
Remote	Hardwire	Remote	Hardwire
Condensate Pan Amps	115V 12A	Condensate Pan Amps	115V 12A

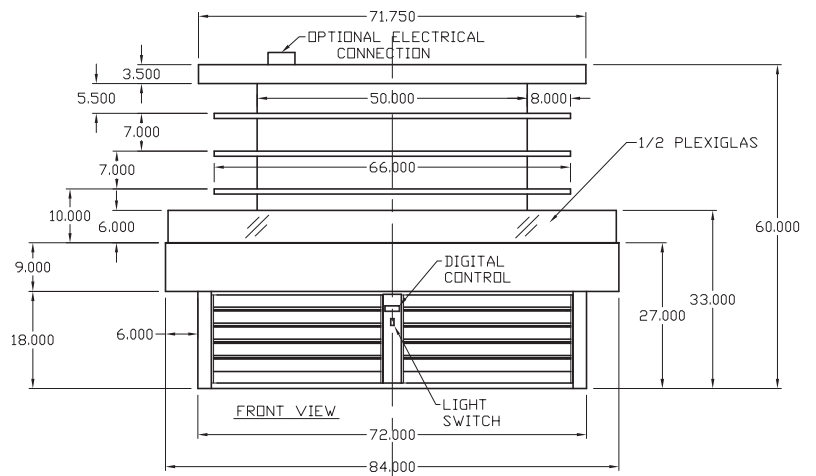
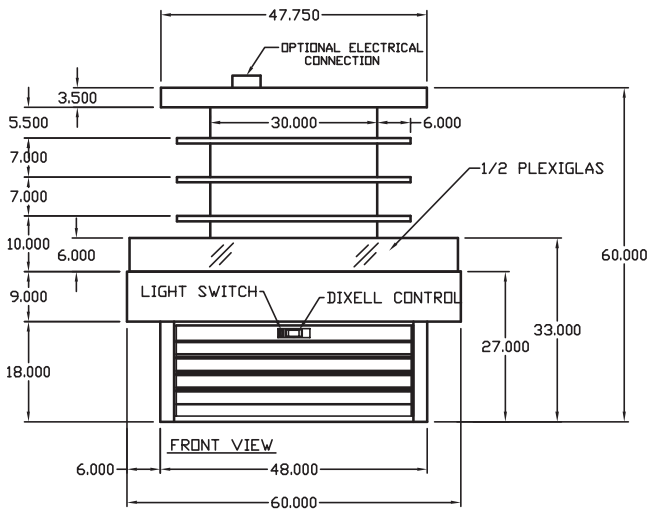
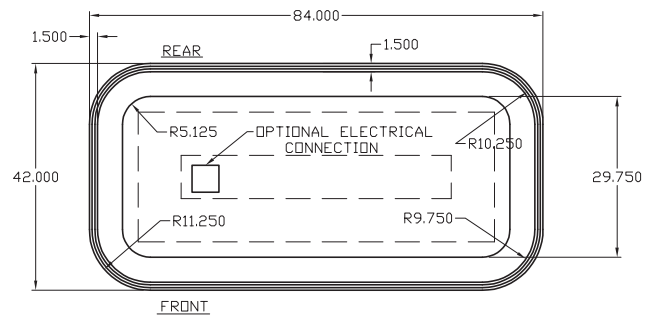
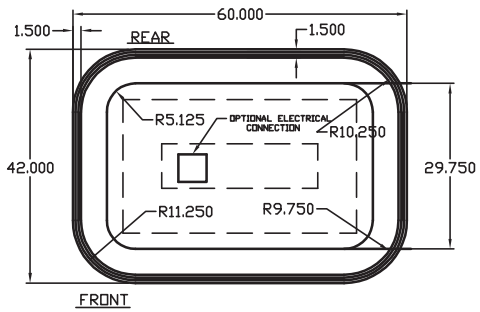
MODEL NUMBER PREFIX - SC = Self-contained R = Remote
 MODEL NUMBER SUFFIX - W = White B = Black S = Stainless Steel LED = LED lighting
 • Cases are designed to operate at 75 degrees Fahrenheit and 55% relative humidity
 • Cases are equipped with drains; check your local building codes for connection requirements.
 • Specification subject to change without notice
 IF COLORS ARE MIXED AN ADDITIONAL CHARGE WILL APPLY



Technical Data OD421-5-LED, OD421-7-LED - 60" High Island Case



Plan Views



SC-OD421-5-B

SC-OD421-7-B